

## T22PN

3 User accounts & 3 Line Keys

3 programmable keys

LCD 132 x 64 pixel with white backlit display

Headset port

Handsfree

Dual 10/100 ethernet ports



T22PN is the ideal IP business phone to equip the office for reliable, intensive telephone based business without incurring extravagant expense. Productivity driven, this best selling mid range phone is a robust, hard working favourite.

# T22PN

## Network Features

SIP v1 (RFC2543), v2 (RFC3261)  
 3 User accounts  
 NAT Transverse: STUN mode  
 IP Assignment: Static/DHCP/PPPoE  
 In-Band DTMF, Out-of-Band DTMF, SIP Info  
 Proxy mode and Peer-to-peer SIP link mode  
 TFTP/DHCP/PPPoE client  
 Telnet/HTTP server  
 DNS client  
 NAT/DHCP server  
 Supports VLAN, QoS  
 PoE  
 VPN

## Voice Features

Wideband Codec: G.722, voice spectrum between 50-7000Hz  
 Narrowband Codecs: G.711, G.726, G.723.1/iLBC, G.729AB and GSM  
 VAD, CNG, AEC, PLC, AJB, AGC  
 Full-duplex hands-free speakerphone

## Phone Features

Call Hold, Call Waiting, Call Transfer, Call Forward  
 300 name/number phonebook  
 Caller ID, Call List, DND, Redial, Flash  
 3-way Conference, Speed Dial  
 Personal Ring Tone, Voicemail  
 Volume Adjustment, Mute, Speakerphone  
 LDAP

## IP PBX System Integration

Dial Plan, Dial-now, Paging  
 Downloadable enterprise phonebook  
 Call Park, Call Pickup, Distinctive Ringtone  
 Auto-answer, intercom

## Config, Upgrade and Usage

TR69 standard  
 Language Customization Support  
 Firmware Upgrade: TFTP/Console/Auto-provision  
 Auto-provision: TR069, HTTPS, HTTP, FTP, TFTP, PnP  
 Direct IP call without SIP proxy  
 Dial number via SIP server  
 Dial URL via SIP server

## Security

Secure RTP  
 Digest authentication using MD5/MD5-  
 sess  
 Secure configuration file via AES encryption

## Physical Features

TI Titan Chipset  
 LCD: 132x64 with blue backlit  
 3 programmable keys, 4 text-sensitive keys  
 23 hard keys, 2 indication LEDs  
 Headset port: RJ9  
 Network Interface: 2xRJ45 10/100M ports  
 Dimension: 275 x 220 x 105 mm  
 Net Weight: 1.22 kg  
 Optional power adapter: Input: AC 100~240V  
 Output: DC 5V/1A  
 Operating humidity: 10~95%  
 Storage temperature: up to 60 C

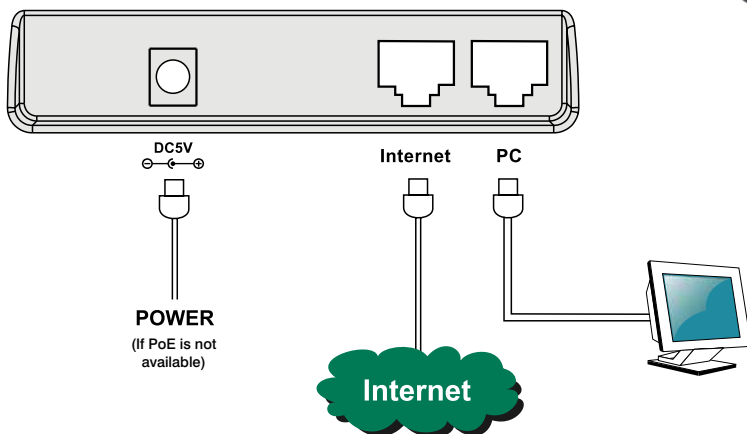
## Certifications



WEEE Compliant



ROHS Compliant



**Yealink**  
 EASY VoIP